

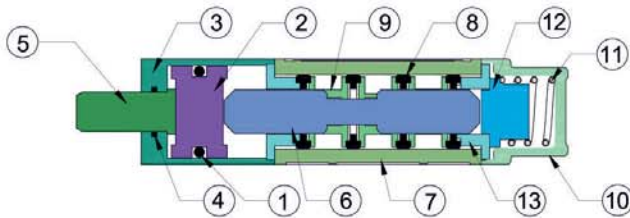
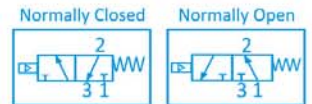
3/2 Way Single Pilot Valve

Features

- ▶▶ Heavy & Durable design.
- ▶▶ Aluminum Die Cast Standard Grade with Powder Coating.
- ▶▶ Hard Chrome Plated spool for rust free smooth and long life cycle.
- ▶▶ Superior High Grade Seals
- ▶▶ Simple design easy to maintenance

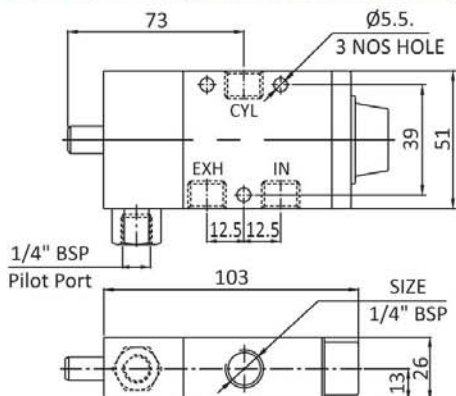
Technical Specification

Model	2ARMPV-S-302	2ARMPV-S-304
Size	1/4"	1/2"
Orifice	6.5	12.5
Design	Spool type, Internal Pilot Operated (External Pilot On Request)	
Pressure	2.5 to 10 Kg/cm ²	
Temperature	80 °C	
Leakage	Bubble Tight	
Media	Compressed Air (Filtered & Lubricated)	
Flow (NLPM) at 5 BAR	1100	3000
Weight (Kg)	0.310	0.850



No.	Part Name	Material
1	'O' Ring	Hi - Nitrile
2	Piston	Polyacetal / Aluminum
3	Pilot Cover	Aluminum
4	'O' Ring	Hi - Nitrile
5	Manual Push Button	Steel Plated
6	Spool Shaft	EN8 Hardchrome Steel Plated
7	Body	Alu. Pre. Die Cast
8	'T' Ring	Hi - Nitrile
9	Cage	Polyacetal
10	End Cover	Aluminum / Nylon
11	Spring	Steel Plated
12	Stopper	Polyacetal / Aluminum
13	Collar Washer	Polyacetal

Size : 1/4" BSP (Dimensions are in mm)



Size : 1/2" BSP (Dimensions are in mm)

