

5/2 & 5/3 Way Hand Lever Valve (Spring Return / Detent)

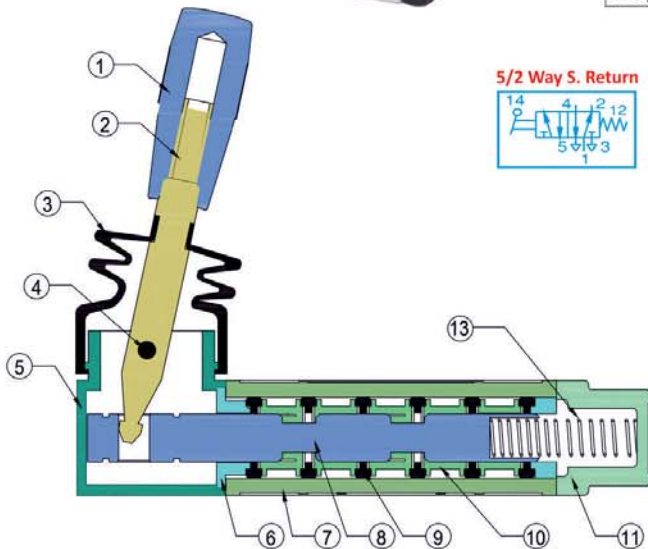


Features

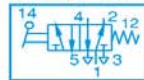
- ▶▶ Heavy & Durable design.
- ▶▶ Aluminum Die Cast Standard Grade with Powder Coating.
- ▶▶ Hard Chrome Plated spool for rust free smooth and long life cycle.
- ▶▶ Superior High Grade Seals
- ▶▶ Simple design easy to maintenance

Technical Specification

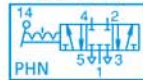
Model	2ARMHLV-502	2ARMHLV-504	3ARMHLV-502	3ARMHLV-504
Size	1/4"	1/2"	1/4"	1/2"
Type	Spring Return		Detent	
Orifice	6.5	12.5	6.5	12.5
Design	Spool type,			
Pressure	10 Kg/cm ²			
Temperature	80 °C			
Leakage	Bubble Tight			
Media	Compressed Air (Filtered & Lubricated)			
Flow (NLPM) at 5 BAR	1100	3000	1100	3000
Weight (Kg)	0.390	0.980	0.400	0.980



5/2 Way S. Return



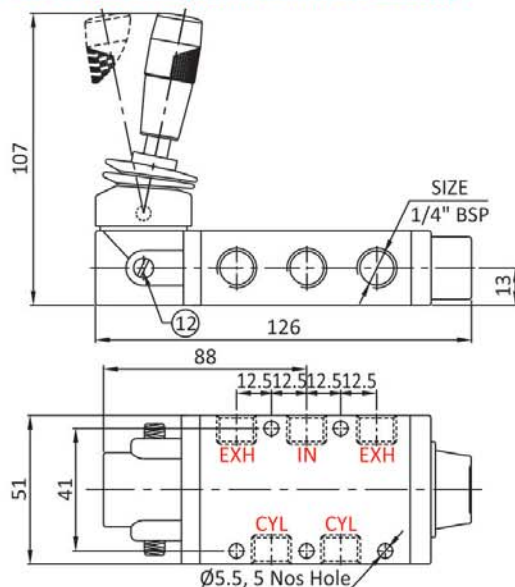
5/3 Detent



No.	Part Name	Material
1	Knob	Nylon
2	Handle	Hardchrome Plated
3	Bellow	NBR
4	Dowel Pin	Spring Steel
5	Top Cover	Aluminum Pressure Die Cast
6	Collar Washer	Polyacetal
7	Body	Aluminum Pressure Die Cast
8	Spool	EN8 Hardchrome Plated
9	'T' Ring	NBR
10	Cage	Polyacetal
11	End Cover	Aluminum / Nylon
12	Cushioning Set	Brass / S. S.
13	*Spring	S. Steel

* Only For Spring Return.

Size : 1/4" BSP (Dimensions are in mm)



Size : 1/2" BSP (Dimensions are in mm)

