

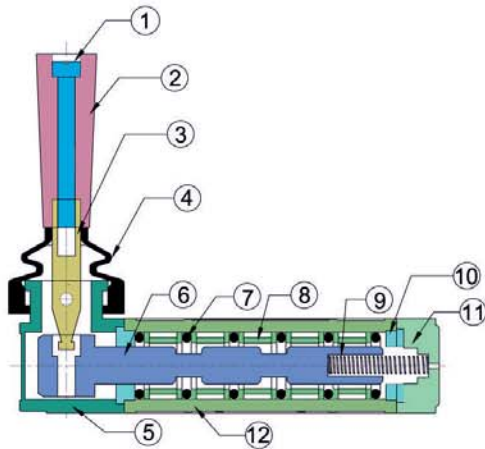
5/2 Way Hand Lever Valve (Spring Return) 5/3 Way Hand Lever Valve (Detent)

Features

- ▶ Compact Design
- ▶ Aluminum Die Cast Standard Grade with Powder Coating.
- ▶ Hard Chrome Plated spool for rust free smooth and long life cycle.
- ▶ Superior High Grade Seals
- ▶ Panel Mounting Available

Technical Specification

Model	SIKOHL-5-SR	SIKOHL-5-DT
Size	1/4"	1/4"
Design	Spool type,	
Pressure	1 to 10 Kg/cm ²	
Temperature	80 °C	
Leakage	Bubble Tight	
Media	Compressed Air (Filtered & Lubricated)	
Weight (Kg)	0.300	0.300



No.	Part Name	Material
1	Screw	Steel Plated
2	Knob	Nylon
3	Handle	S.S.
4	Bellows	NBR
5	Top Cover	Aluminum Pressure Die Cast
6	Spool Shaft	EN8 Hardchrom Plated
7	'O' Ring	NBR
8	Cage	Polyacetal
9	*Spring	S.S.
10	Collar Washer	Polyacetal
11	End Cover	Nylon
12	Body	Aluminum Pressure Die Cast

* Only For Spring Return

Size : 1/4" BSP (Dimensions are in mm)

