

Air Combination (Filter + Regulator)



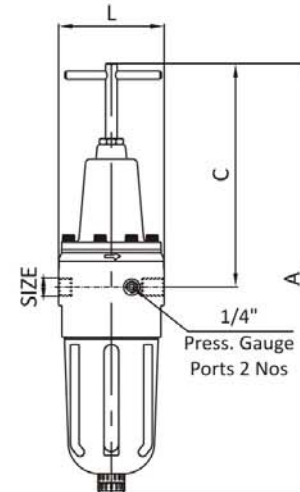
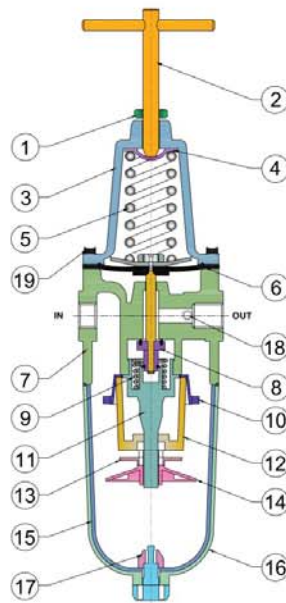
Features

- ▶ Compact with High Flow Design
- ▶ Aluminum Die Cast Standard Grade with Powder Coating.
- ▶ Mounting Available
- ▶ Heavy Duty & Durable Design
- ▶ Comfortable to all industrial use.

Technical Specification

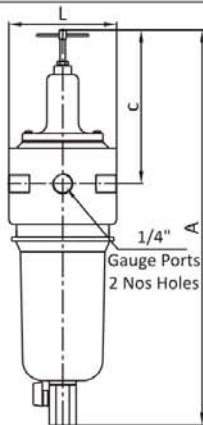
Model	AFR-S-02	AFR-S-05	AFR-S-04	AFR-S-06
Size	1/4"	1/2"	3/4"	1"
Pressure	10 Kg/cm ² (max.)			
Temperature	50 °C (max.)			
Seals	NBR			
Adjusting Setting	Turn "T" Type key clock wise to increase pressure			
Flow SCFM at 5 Bar	60	80	125	140
Media	Compressed air			

No.	Part Name	Material
1	Check Nut	Brass Plated
2	Adjusting 'T' Stud	Steel Plated
3	Bonnet	Aluminum Pressure Die Cast
4	Spring Plate	Steel Plated
5	Pressure Spring	Steel Plated
6	Diaphragm	P. U.
7	Body	Aluminum Pressure Die Cast
8	Plunger	Brass with Rubber Moulded
9	Plunger Spring	S. Steel
10	Deflector	Nylon
11	Guide	Nylon
12	Filter Element	Poly Porous (25 Micron)
13	Baffle Plate	Nylon
14	Baffle	Nylon
15	Bowl	Polycarbonate
16	Safety Guard	Nylon
17	Draincock Assembly	Nylon
18	Band Plug	S. Steel
19	Alen Key	S. Steel



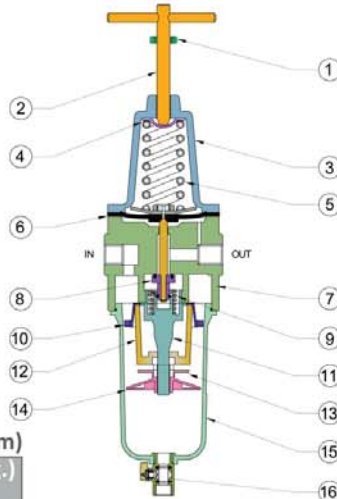
Dimensions : (All Dimensions are in mm)

MODEL	SIZE	L	A	C	Weight (Kg.) Approx.
AFR-S-06	1/4"	83	345	164	0.950
AFR-S-15	1/2"	83	345	164	0.950



Dimensions : (All Dimensions are in mm)

MODEL	SIZE	L	A	C	Weight (Kg.) Approx.
AFR-S-20	3/4"	76	350	170	1.100
AFR-S-25	1"	76	350	170	1.100



No.	Part Name	Material
1	Check Nut	Brass Plated
2	'T' Type Knob	Steel Plated
3	Bonnet	Aluminum Pressure Die Cast
4	Spring Plate	Steel Plated
5	Spring	Steel Plated
6	Diaphragm	P. U.
7	Body	Aluminum Pressure Die Cast
8	Plunger	Brass with Rubber Moulded
9	Plunger Spring	S. Steel
10	Deflector	Nylon
11	Guide	Nylon
12	Filter Element	Poly Porous (25 Micron)
13	Baffle Plate	Nylon
14	Baffle	Nylon
15	Bowl	Aluminum Pressure Die Cast
16	Manual Drain Valve	Brass (Ball Valve)